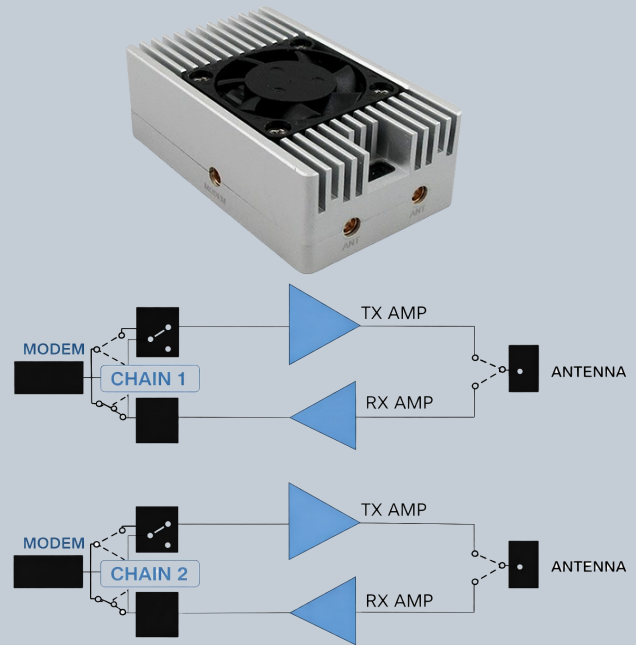


## SWP - 1625 to 2400 MHz Dual Channel Linear 20W Amplifier

The PAM1650-SWP Amplifier is a compact 20W, Dual Channel 1625 to 2400 MHz linear amplifier. The PAM1650-SWP Amplifier offers a compact, rugged design, features high speed automatic Tx/Rx switching. For use with Microhard Digital Data Links for up to 100km range.

### Features

- 20W Bidirectional MIMO Amplifier
- 10W Per Chain
- MIMO Benefits
- Small & Light Weight
- Automatic TX/RX Switching
- Auto On/Off Fan Control
- Surge Arresting
- Per Chain Tx/Rx Status LEDs



**COTS - Commercial Off-The-Shelf!**

### Specifications

<b>Frequency Band</b>	1625 to 2400 MHz		<b>Rx/Tx Switching</b>	1 $\mu$ s Typical
<b>Tx Power Gain</b>	12 dB		<b>Impedance</b>	50 $\Omega$
<b>Tx O/P Power</b>	<u>Modulation</u>	<u>Power</u>	<b>DC Supply Voltage</b>	36 VDC (32-38VDC)
	P1dB	>10W	<b>Connectors</b>	4x MMCX (Jack) - (2xMODEM, 2xANT) XT30 Male 2pin (DC Power)
	QAM 16	8W		
	QPSK	10W	<b>Weight</b>	Approx. 75 grams
<b>Rx Gain</b>	10 dB		<b>Dimensions</b>	36mm x 60mm x 20mm

## Connection Diagram

